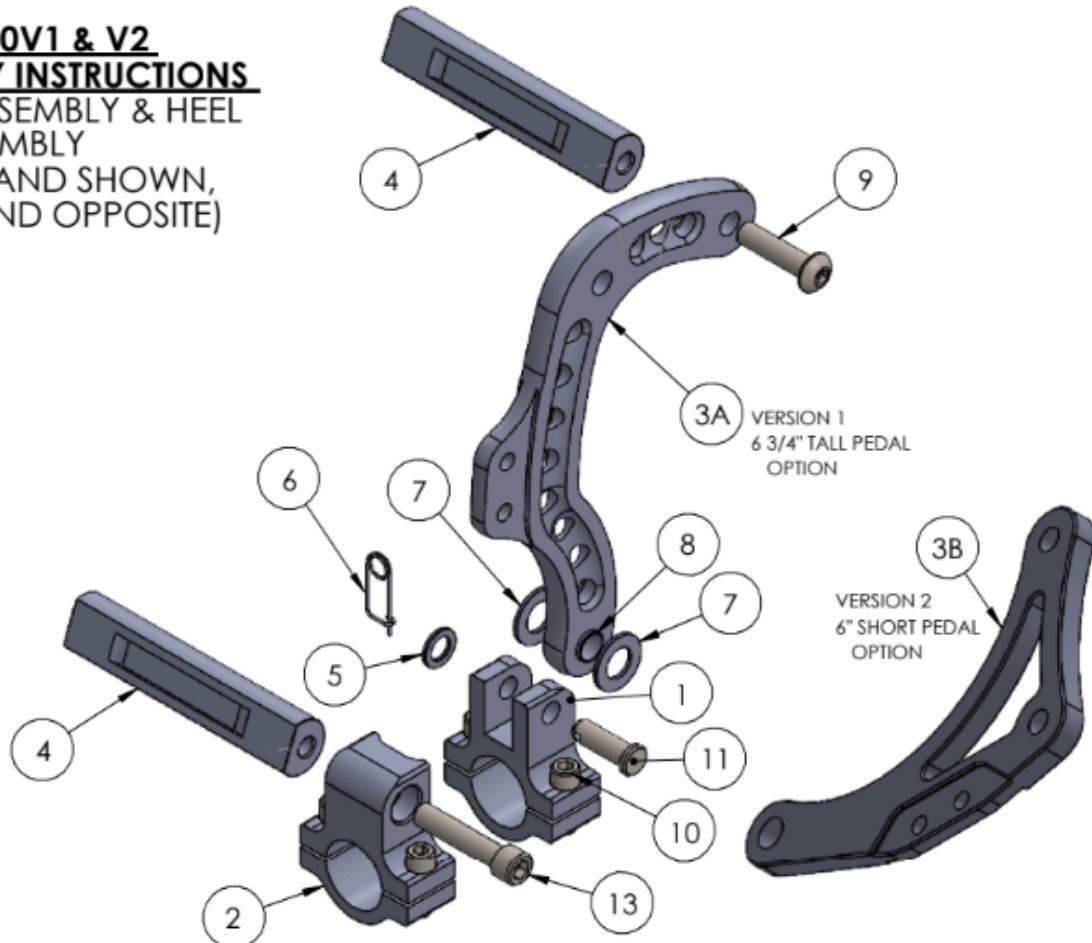




**PM-117200V1 & V2**  
**ASSEMBLY INSTRUCTIONS**  
 PEDAL ASSEMBLY & HEEL  
 REST ASSEMBLY  
 (RIGHT HAND SHOWN,  
 LEFT HAND OPPOSITE)



ITEM NO.	PART NUMBER	DESCRIPTION	QTY.
1	PM-117212	PEDAL BASE & CLAMP	2
2	PM-117214	HEEL REST BASE & CLAMP	2
3A	PM-117218V1	VERSION 1 - 6 3/4" TALL PEDAL OPTION	2
4	PM-117210	PEDAL FOOT PEG	4
5	PC-3235	.56 OD X .33 ID X .06 THK WASHER	2
6	PC-6200	SMALL SAFETY CLIP	2
7	PC-3209	.81 OD X .44 ID X .06 THK WASHER (WASHERS GO ON INSIDE OF SLOTTED BASE)	4
8	PC-6090	.314 ID X .439 OD X .50 LONG BRONZE BUSHING	2
9	PC-1261Z	5/16-18 X 1 1/4 LONG HEAD CAP SCREW	BUTTON 2
10	PC-1180Z	1/4-28 X 3/4 LONG HEAD CAP SCREW	SOCKET 8
11	PC-6136	5/16 DIA X 1 1/4 LONG PIN	CLEVIS 2